

# SMA female to SMA female HEX Adapter

## P/N P1-ADP-SMAJSS/SMAJSS-HEX

**Electrical** (Typical)  
 Impedance: 50 Ohms  
 Frequency Range: DC - 18 GHz  
 VSWR:  
     1.20 : 1 (Max) for DC - 18 GHz

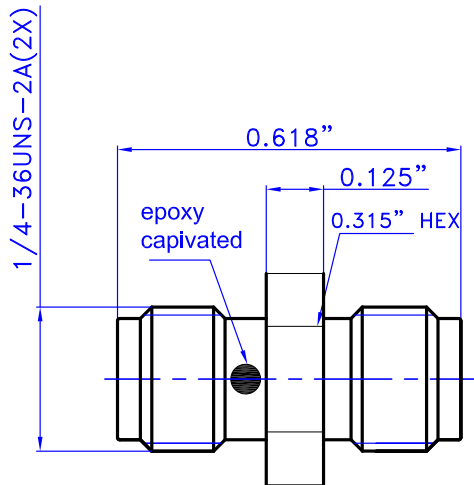
Operating Temp Range: -65°C - +125°C


**Mechanical** (Typical)

Connector: Mates with MIL-STD-348

RoHS Compliant: YES

	Materials	Finish
Body	Stainless steel	Passivated
Center Conductor	BeCu Alloy	Gold over Nickel
Captivation	Epoxy	---



All dimension are in inches		REV. A	SHEET 1/1	<b>P1dB</b> 
DRAWING BY: Z. Luo	DATE: 8/3/2010	PART NO. P1-ADP-SMAJSS/SMAJSS-HEX		
CHECKED BY: S. Jiang	DATE: 8/3/2010			
APPROVED BY: R. Kraemer	DATE: 8/3/2010			